



Tube Technologies, Inc.
 1555 Consumer Circle • Corona, CA 92878
 951-371-4878 • Fax 951-371-6143 • www.ttiexhaust.com

1962 B-BODY MAX-WEDGE MANIFOLDS-BACK EXHAUST SYSTEM

PART NO. **XB30MX4N62** (Mufflers not included)

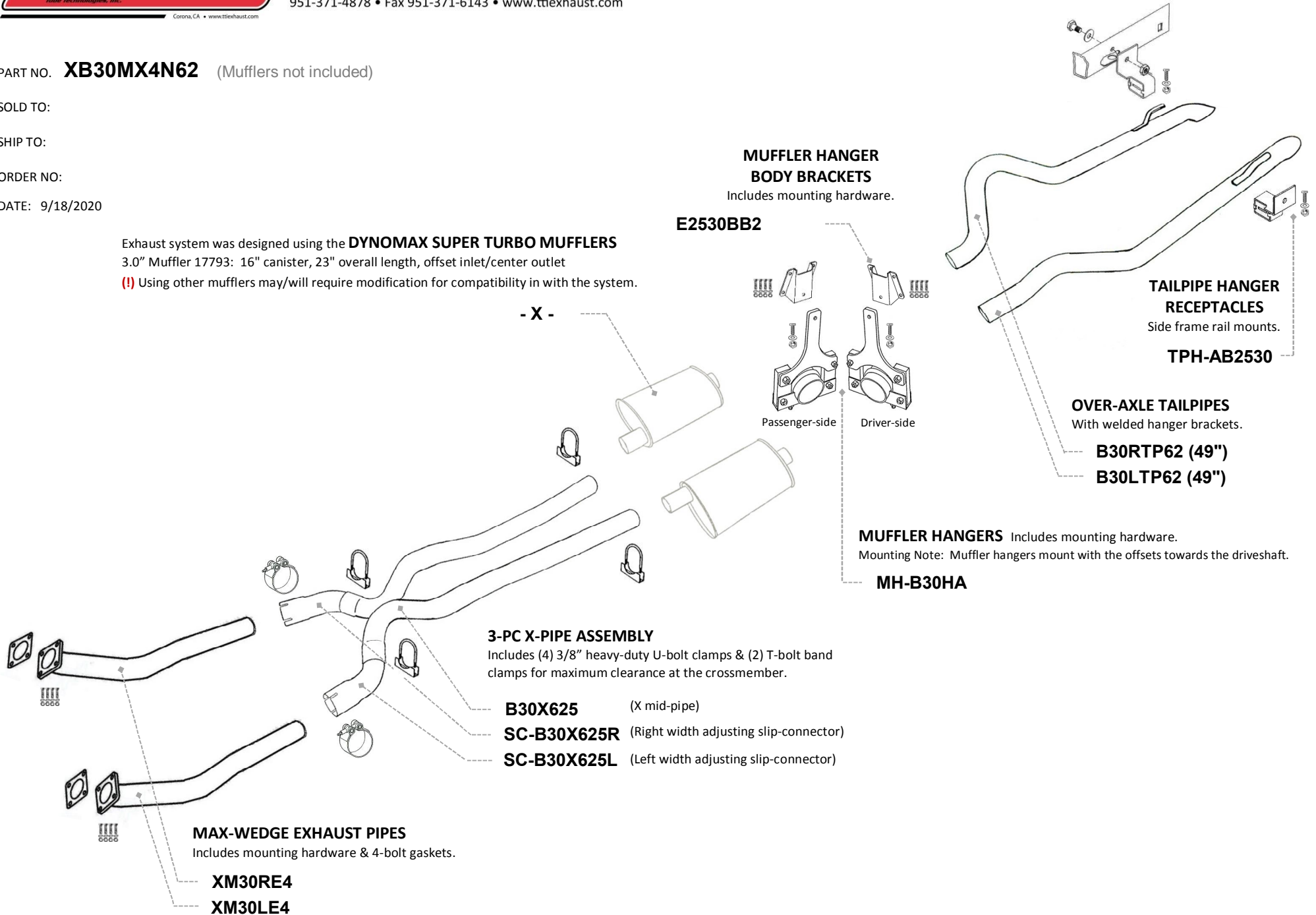
SOLD TO:

SHIP TO:

ORDER NO:

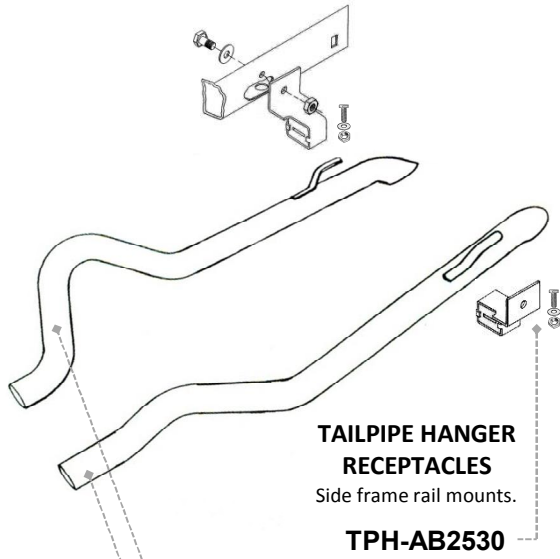
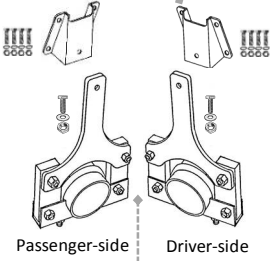
DATE: 9/18/2020

Exhaust system was designed using the **DYNAMAX SUPER TURBO MUFFLERS**
 3.0" Muffler 17793: 16" canister, 23" overall length, offset inlet/center outlet
 (!) Using other mufflers may/will require modification for compatibility in with the system.



- X -

**MUFFLER HANGER
 BODY BRACKETS**
 Includes mounting hardware.
E2530BB2



**TAILPIPE HANGER
 RECEPTACLES**
 Side frame rail mounts.
TPH-AB2530

OVER-AXLE TAILPIPES
 With welded hanger brackets.
B30RTP62 (49")
B30LTP62 (49")

MUFFLER HANGERS Includes mounting hardware.
 Mounting Note: Muffler hangers mount with the offsets towards the driveshaft.
MH-B30HA

3-PC X-PIPE ASSEMBLY
 Includes (4) 3/8" heavy-duty U-bolt clamps & (2) T-bolt band clamps for maximum clearance at the crossmember.
B30X625 (X mid-pipe)
SC-B30X625R (Right width adjusting slip-connector)
SC-B30X625L (Left width adjusting slip-connector)

MAX-WEDGE EXHAUST PIPES
 Includes mounting hardware & 4-bolt gaskets.
XM30RE4
XM30LE4