



Tube Technologies Inc.  
 1555 Consumer Circle  
 Corona, CA 92880  
 (951) 371-4878  
[www.ttiexhaust.com](http://www.ttiexhaust.com)

**1967-1969 "A"-body Exhaust System for Plymouth Barracuda**

- 2.5" system – part # A25HNM6769-CUE
- 3.0" system – part # A30HNM6769-CUE

**MUFFLERS**

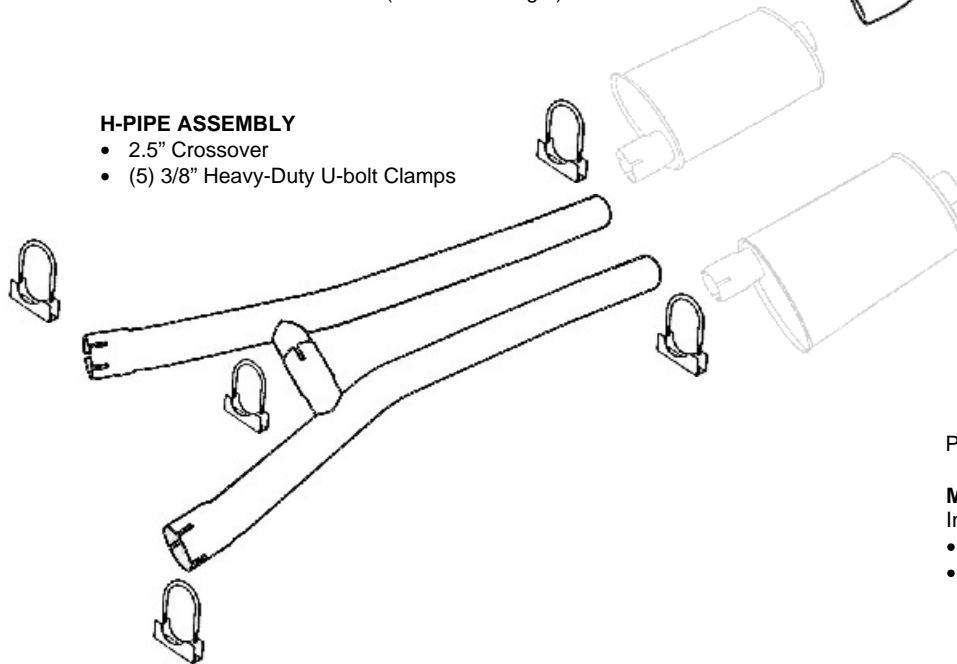
Opting to use mufflers other than Dynomax Super Turbos may require modification to the muffler slips, (cutting & welding) for proper fit and alignment due to the muffler case length and width differences.

System designed using Dynomax Super Turbo mufflers

- 2.5" (18.5" overall length) # 17733
- 3.0" (23" overall length) # 17793

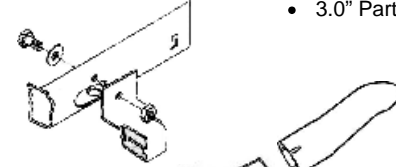
**H-PIPE ASSEMBLY**

- 2.5" Crossover
- (5) 3/8" Heavy-Duty U-bolt Clamps



**O.E. STYLE TAILPIPE HANGER RECEPTACLES**

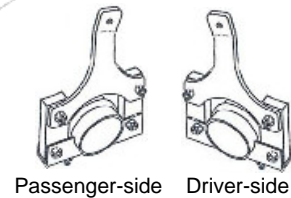
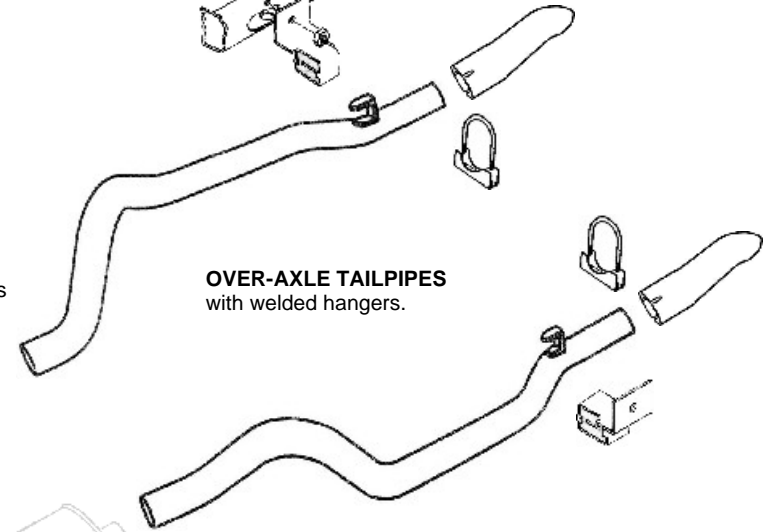
- Included with Tailpipes.
- Includes Hardware
  - Part # TPH-AB2530



**ALUMINIZED EXHAUST TIPS**

- Included with Tailpipes.
- 3/8" Heavy-Duty U-bolt Clamps
  - 2.5" Part # TIP25-TDT
  - 3.0" Part # TIP30-TDT

**OVER-AXLE TAILPIPES with welded hangers.**



**MUFFLER HANGERS**

- Included with system.
- 2.5" Part # MH-A25HA
  - 3.0" Part # MH-A30HA

**MUFFLER HANGER DETAIL**  
 (Drivers side shown)

