



Tube Technologies Inc.  
 1555 Consumer Circle  
 Corona, CA 92880  
 (951) 371-4878  
[www.ttiexhaust.com](http://www.ttiexhaust.com)

**1963-1966 "A"-body Exhaust System**

- 2.5" system – part # A25MNM6366
- 3.0" system – part # A30MNM6366

**O.E. STYLE TAILPIPE HANGER RECEPTACLES**  
 Included with Tailpipes.  
 • Includes Hardware  
 • Part # TPH-AB2530



**MUFFLERS**

Opting to use mufflers other than Dynomax Super Turbos may require modification to the muffler slips, (cutting & welding) for proper fit and alignment due to the muffler case length and width differences.

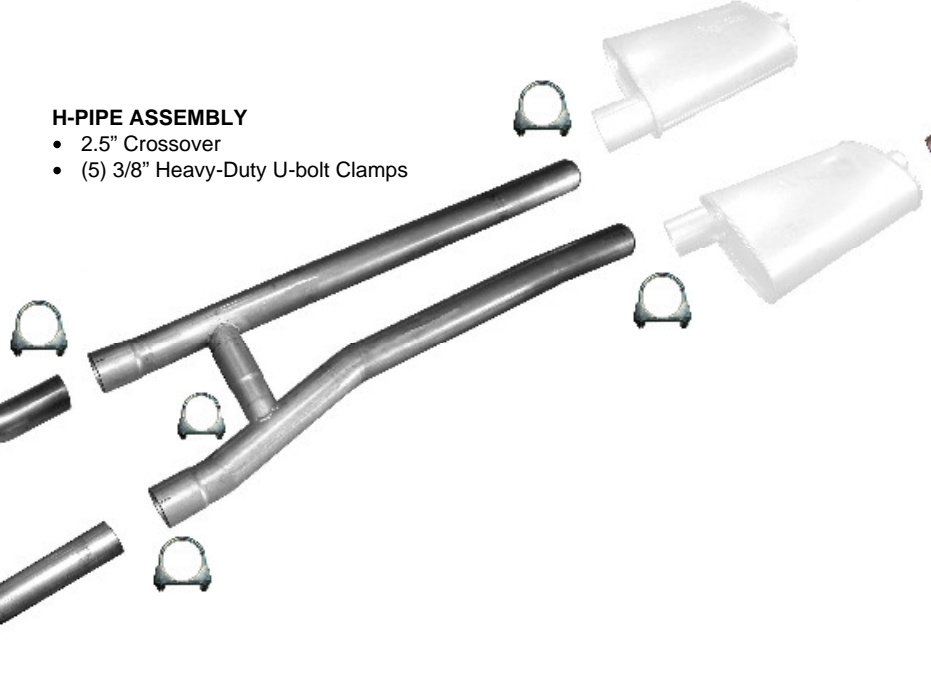
- System designed using Dynomax Super Turbo mufflers
- 2.5" (18.5" overall length) # 17733
  - 3.0" (23" overall length) # 17793

**OVER-AXLE TAILPIPES**  
 with welded hangers.



**H-PIPE ASSEMBLY**

- 2.5" Crossover
- (5) 3/8" Heavy-Duty U-bolt Clamps



**EXHAUST PIPES**

- 1/2" Flanges
- Includes Hardware and
- 1/16" Gaskets, if applicable.



**MUFFLER BODY BRACKETS**  
 Included with system.  
 • Includes Hardware  
 • Part # E2530BB-2



**MUFFLER HANGERS**  
 Included with system.  
 • 2.5" Part # A256366  
 • 3.0" Part # A306366



Passenger-side Driver-side