



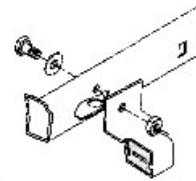
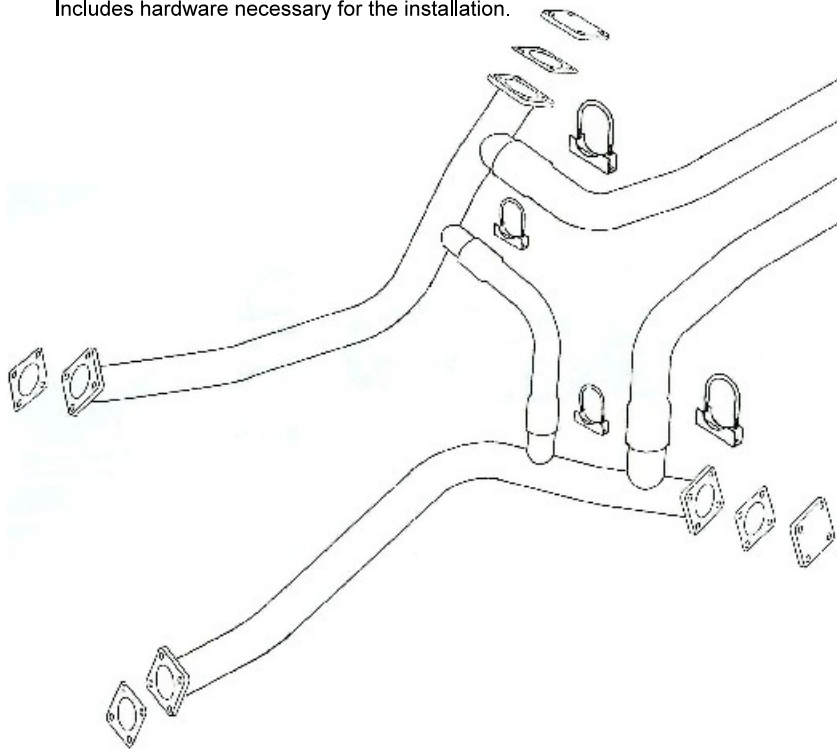
Tube Technologies Inc.
 1555 Consumer Circle
 Corona, CA 92880
 (951) 371-4878
www.ttiexhaust.com

1963 - 1965 "B"-body Max Wedge Exhaust System

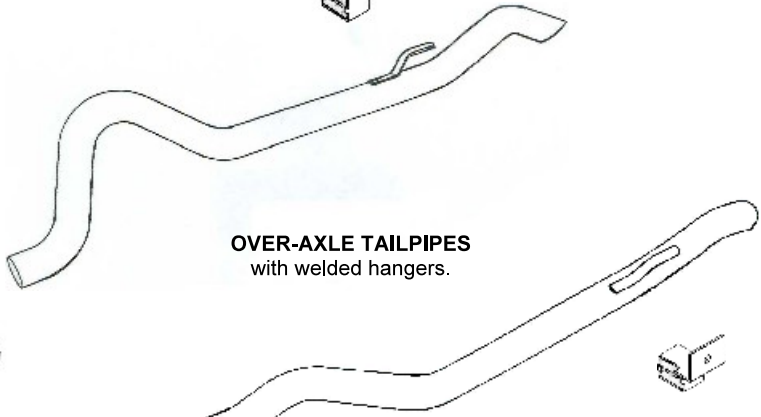
- 3.0" system – part # B30MAX-S6365

MAX WEDGE MID-PIPE ASSEMBLY

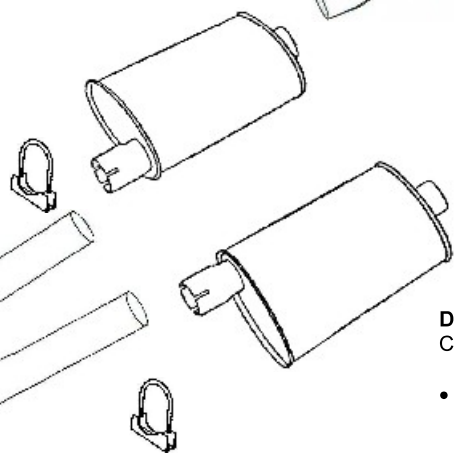
- Head pipes from the factory manifolds
 - Max Wedge style H-pipe w/ a 2" Crossover pipe
 - 1/2" 4-Bolt Flanges
 - (2) 2" 3/8" Heavy-Duty U-bolt Clamps
 - (4) 3" 3/8" Heavy-Duty U-bolt Clamps
 - (4) 1/16" 4-Bolt Gaskets w/ 3" I.D. hole
 - (2) 1/2" 4-Bolt Blocking Plates
- Includes hardware necessary for the installation.



- ### O.E. STYLE TAILPIPE HANGER RECEPTACLES
- Included with Tailpipes.
- Includes Hardware
 - Part # TPH-AB2530



OVER-AXLE TAILPIPES
with welded hangers.

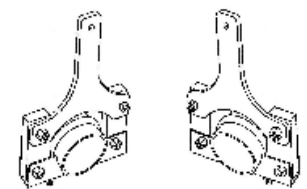


DYNAMAX SUPER TURBO MUFFLERS
Comes standard with TTI systems.

- 3.0" - Overall length 23" / Part # 17793



- ### MUFFLER BODY BRACKETS
- Included with system.
- Includes Hardware
 - Part # E2530BB-2



Passenger-side Driver-side

- ### MUFFLER HANGERS
- Included with system.
- 2.5" Part # MH-B25HA
 - 3.0" Part # MH-B30HA