



Tube Technologies Inc.
 1555 Consumer Circle
 Corona, CA 92880
 (951) 371-4878
www.ttiexhaust.com

1962-1965 "B"-body Wagon Exhaust System

- 2.5" system – part # B25HNM6265W
- 3.0" system – part # B30HNM6265W

MUFFLERS

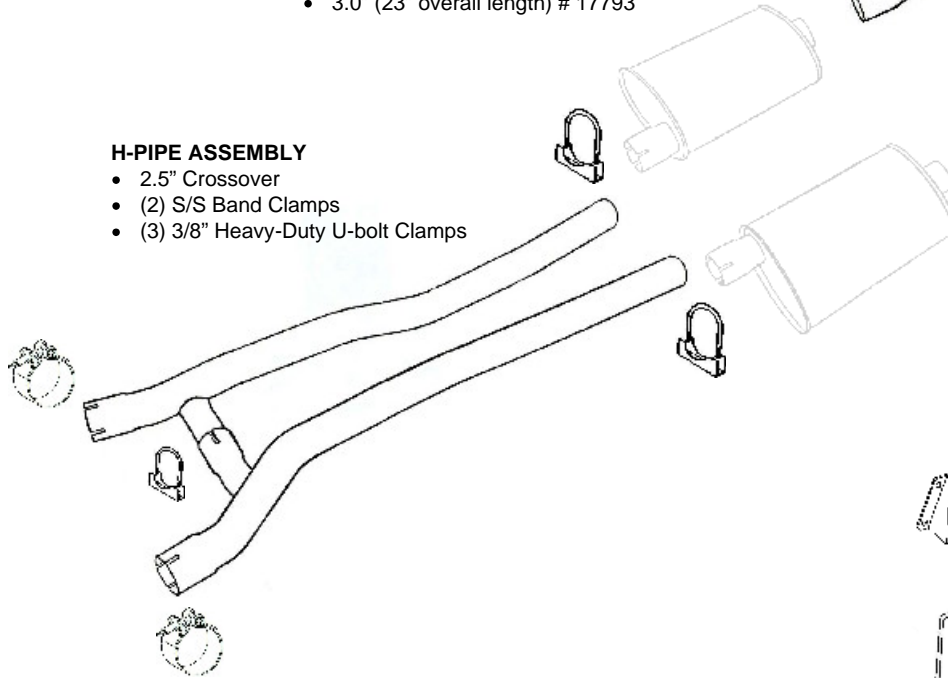
Opting to use mufflers other than Dynomax Super Turbos may require modification to the muffler slips, (cutting & welding) for proper fit and alignment due to the muffler case length and width differences.

System designed using Dynomax Super Turbo mufflers

- 2.5" (18.5" overall length) # 17733
- 3.0" (23" overall length) # 17793

H-PIPE ASSEMBLY

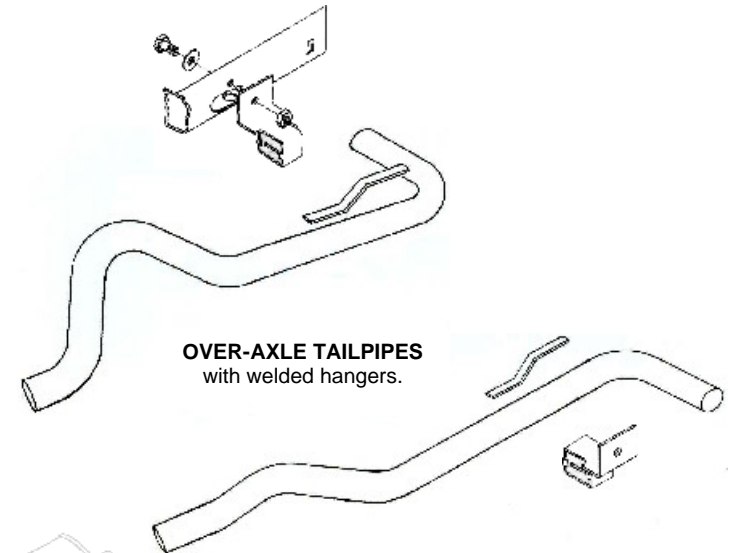
- 2.5" Crossover
- (2) S/S Band Clamps
- (3) 3/8" Heavy-Duty U-bolt Clamps



O.E. STYLE TAILPIPE HANGER RECEPTACLES

Included with Tailpipes.

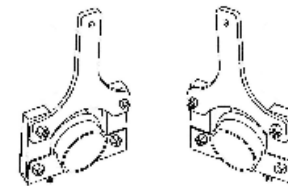
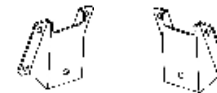
- Includes Hardware
- Part # TPH-AB2530



OVER-AXLE TAILPIPES
with welded hangers.

MUFFLER BODY BRACKETS

- Included with system.
- Includes Hardware
 - Part # E2530BB-2



Passenger-side Driver-side

MUFFLER HANGERS

Included with system.

- 2.5" Part # MH-B25HA
- 3.0" Part # MH-B30HA