



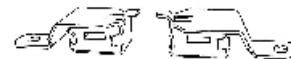
Tube Technologies Inc.  
1555 Consumer Circle  
Corona, CA 92880  
(951) 371-4878  
[www.ttiexhaust.com](http://www.ttiexhaust.com)

## 1968-1970 "B"-body Exhaust Systems

- 2.5" system – part # B25HWM6870
- 3.0" system – part # B30HWM6870

### O.E. STYLE TAILPIPE HANGER RECEPTACLES

- Included with Tailpipes.
- Includes Hardware
  - Part # TPH-B2530



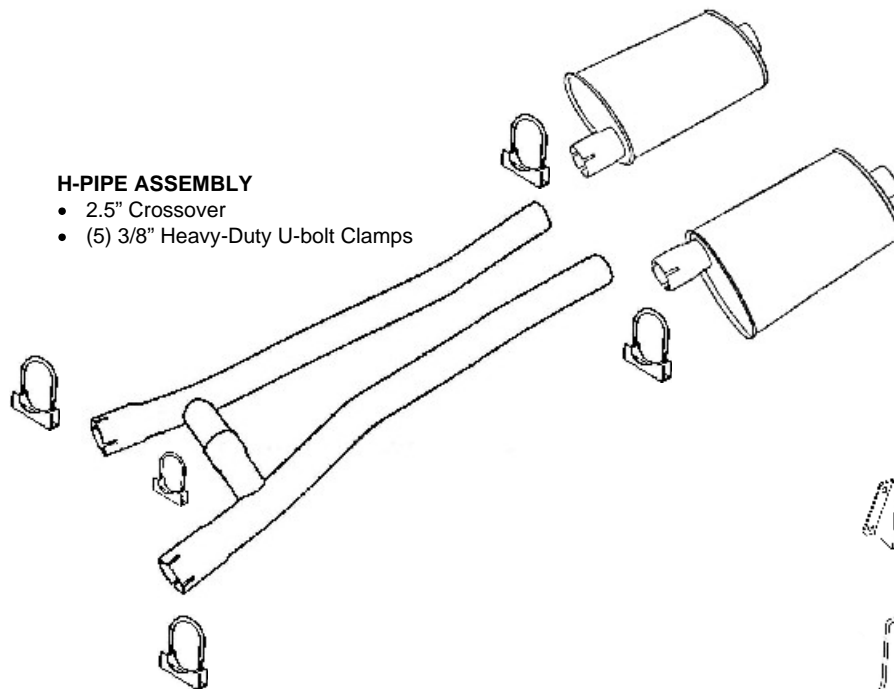
### DYNOMAX SUPER TURBO MUFFLERS

Comes standard with TTI systems.

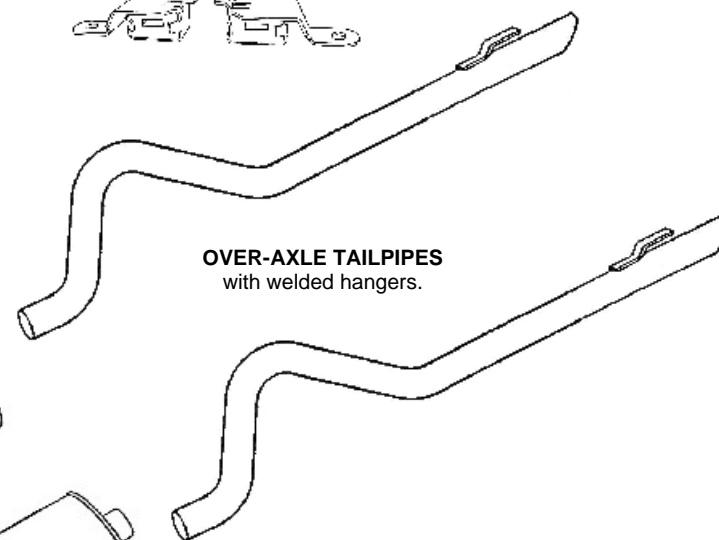
- 2.5" - Overall length 25.5" / Part # 17748
- 3.0" - Overall length 27" / Part # 17769

### H-PIPE ASSEMBLY

- 2.5" Crossover
- (5) 3/8" Heavy-Duty U-bolt Clamps



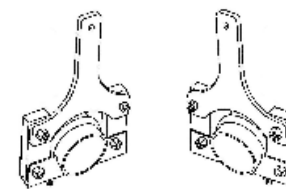
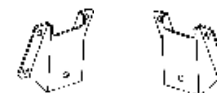
### OVER-AXLE TAILPIPES with welded hangers.



### MUFFLER BODY BRACKETS

If your application is not equipped with Muffler Body Brackets, a set will be required.

- Sold separately - Part # E2530BB-2



Passenger-side Driver-side

### MUFFLER HANGERS

Included with system.

- 2.5" Part # MH-B25HA
- 3.0" Part # MH-B30HA