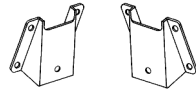




Tube Technologies Inc.
1555 Consumer Circle
Corona, CA 92880
(951) 371-4878
www.ttiexhaust.com

68-70 B-body Exhaust System

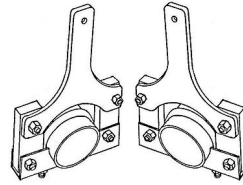
- 2.5" H-pipe system / Part #B25MNM6870
- 3.0" H-pipe system / Part #B30MNM6870



MUFFLER BODY BRACKETS

(Not included with system - Sold separately)

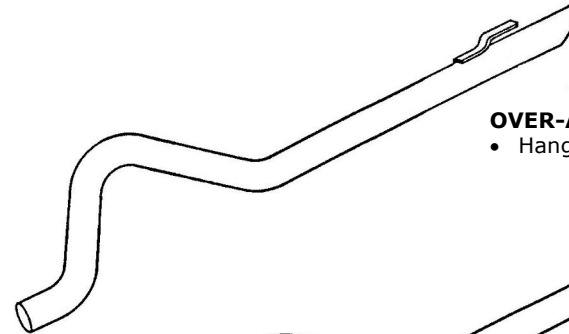
If your vehicle is not equipped with, or has been stripped of the brackets mounted to the body panel behind the rear seat, two (2) will be required to mount the supplied muffler hangers¹. Part #E2530BB ea.



Passenger-side Driver-side

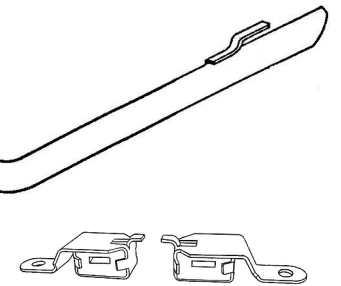
¹MUFFLER HANGERS

- Hardware included



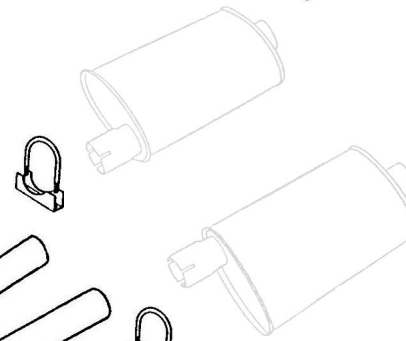
OVER-AXLE TAILPIPES

- Hangers welded in place



TAILPIPE HANGER RECEPTACLES

- Hardware included

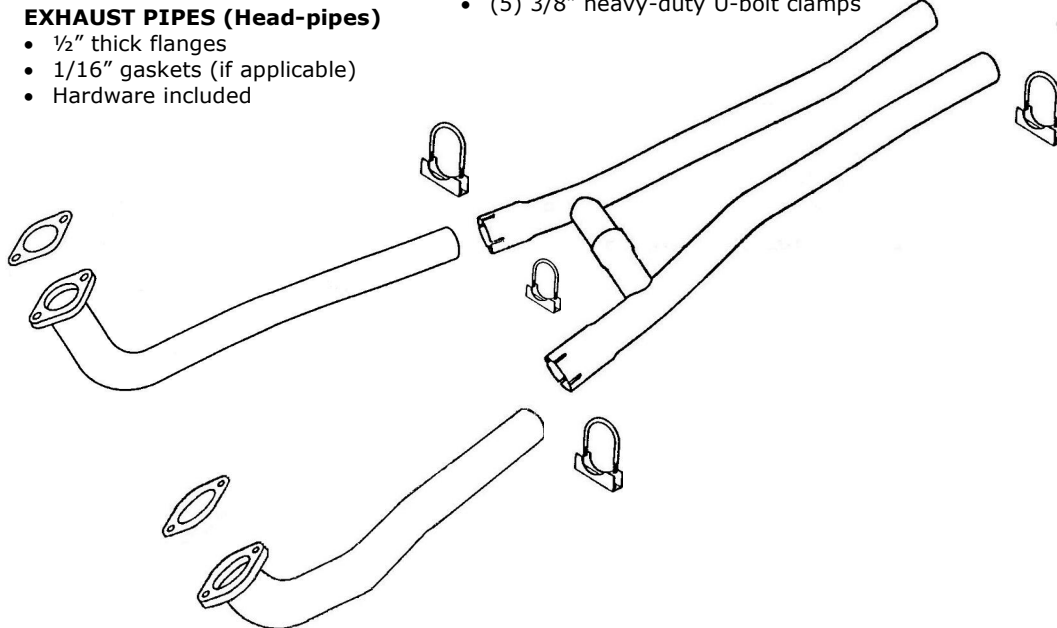


H-PIPE ASSEMBLY

- 2.5" crossover
- (5) 3/8" heavy-duty U-bolt clamps

EXHAUST PIPES (Head-pipes)

- 1/2" thick flanges
- 1/16" gaskets (if applicable)
- Hardware included



MUFFLERS

Note: Our Exhaust systems were designed using the Dynomax Super Turbo mufflers. Opting to use mufflers other than Dynomax Super Turbo may require modification to the muffler slips (cutting and welding) for proper fit and alignment due to the muffler case length and width differences.

Dynomax Super Turbo dimensions:

- 2.5" - #17748, 20" x 9.75" canister, 25.5" overall length
- 3.0" - #17769, 20" x 11" canister, 27" overall length