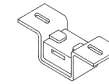




Tube Technologies Inc.  
1555 Consumer Circle  
Corona, CA 92880  
(951) 371-4878  
[www.ttiexhaust.com](http://www.ttiexhaust.com)

**O.E. STYLE TAILPIPE HANGER RECEPTACLES**  
Included with Tailpipes.

- Includes Hardware
- Part # TPH-E2530



**1970-1974 E-body Challenger Exhaust System**

- 2.5+system . part # E25HNM-CH
- 3.0+system . part # E30HNM-CH

**MUFFLERS**

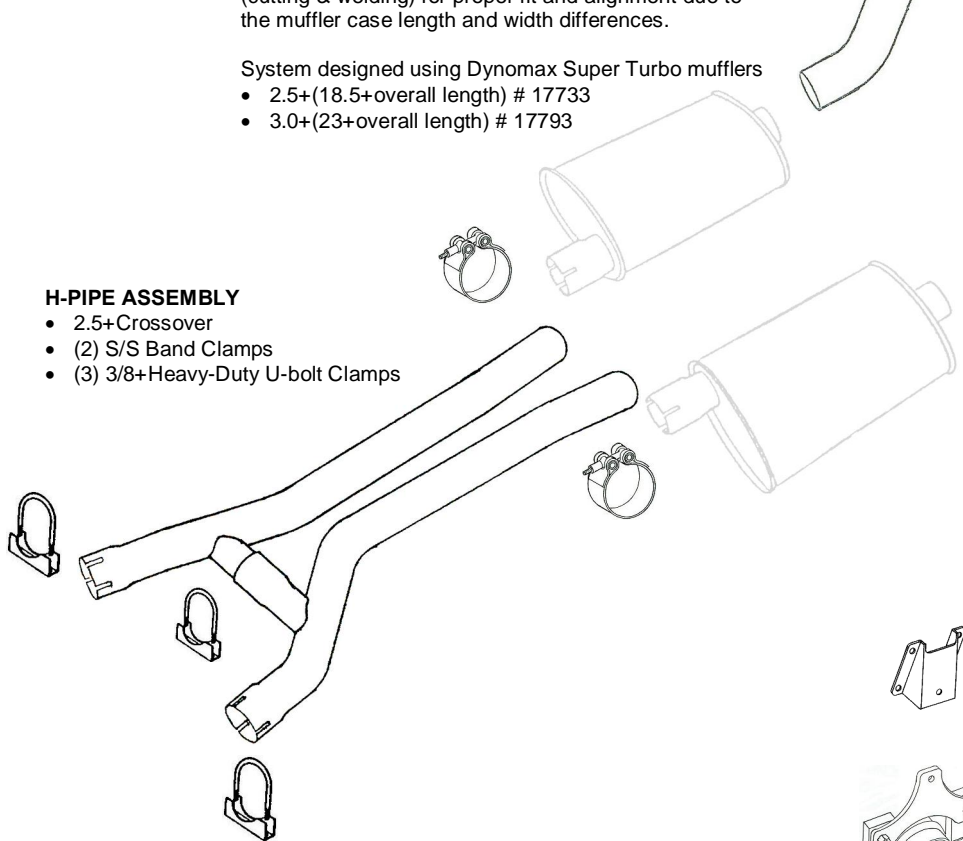
Opting to use mufflers other than Dynomax Super Turbos may require modification to the muffler slips, (cutting & welding) for proper fit and alignment due to the muffler case length and width differences.

System designed using Dynomax Super Turbo mufflers

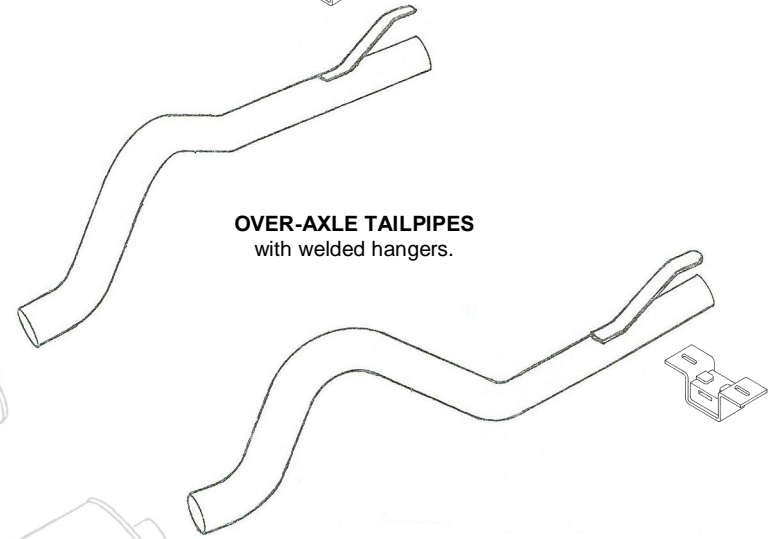
- 2.5+(18.5+overall length) # 17733
- 3.0+(23+overall length) # 17793

**H-PIPE ASSEMBLY**

- 2.5+Crossover
- (2) S/S Band Clamps
- (3) 3/8+ Heavy-Duty U-bolt Clamps

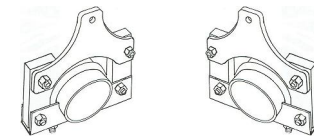


**OVER-AXLE TAILPIPES**  
with welded hangers.



**MUFFLER BODY BRACKETS**  
If your application is not equipped with Muffler Body Brackets, a set will be required.

- Sold separately - Part # E2530BB-2



Passenger-side      Driver-side

**MUFFLER HANGERS**

- Included with system.
- 2.5+Part # MH-E25HA
  - 3.0+Part # MH-E30HA