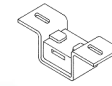




Tube Technologies Inc.
1555 Consumer Circle
Corona, CA 92880
(951) 371-4878
www.ttiexhaust.com

O.E. STYLE TAILPIPE HANGER RECEPTACLES

- Included with Tailpipes.
- Includes Hardware
 - Part # TPH-E2530



1970-1974 E-body Barracuda Exhaust System

- 2.5+system . part # E25HNM-CU
- 3.0+system . part # E30HNM-CU

MUFFLERS

Opting to use mufflers other than Dynomax Super Turbos may require modification to the muffler slips, (cutting & welding) for proper fit and alignment due to the muffler case length and width differences.

System designed using Dynomax Super Turbo mufflers

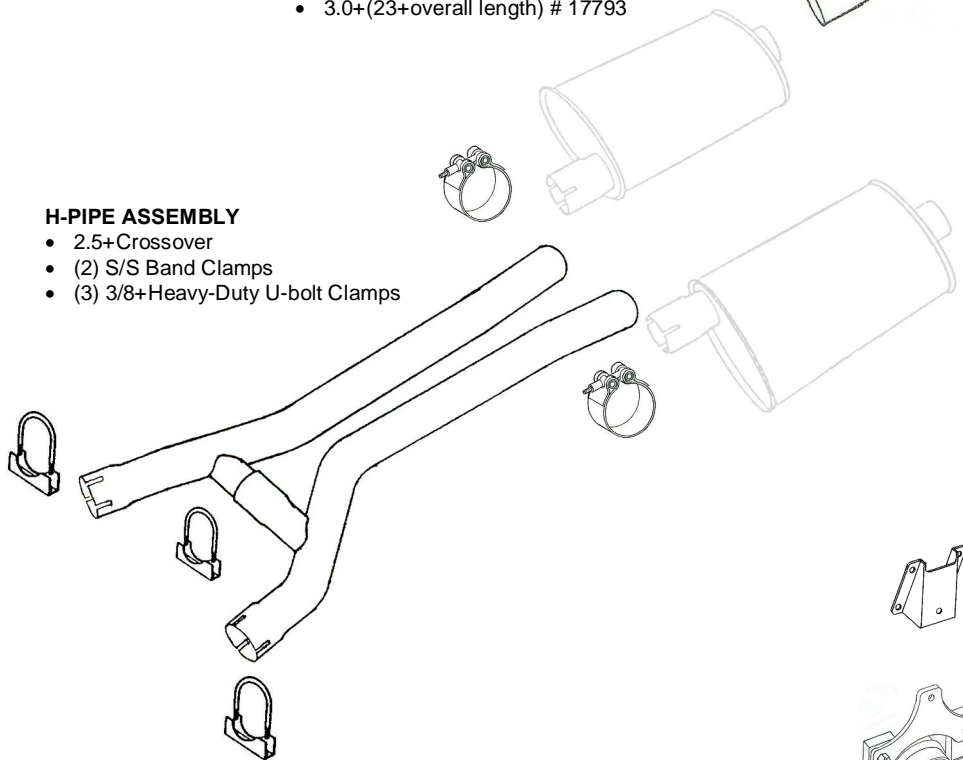
- 2.5+(18.5+overall length) # 17733
- 3.0+(23+overall length) # 17793

OVER-AXLE TAILPIPES with welded hangers.



H-PIPE ASSEMBLY

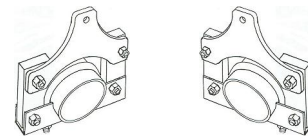
- 2.5+Crossover
- (2) S/S Band Clamps
- (3) 3/8+ Heavy-Duty U-bolt Clamps



MUFFLER BODY BRACKETS

If your application is not equipped with Muffler Body Brackets, a set will be required.

- Sold separately - Part # E2530BB-2



Passenger-side

Driver-side

MUFFLER HANGERS

Included with system.

- 2.5+Part # MH-E25HA
- 3.0+Part # MH-E30HA