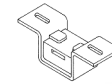




Tube Technologies Inc.  
 1555 Consumer Circle  
 Corona, CA 92880  
 (951) 371-4878  
[www.ttiexhaust.com](http://www.ttiexhaust.com)

**O.E. STYLE TAILPIPE HANGER RECEPTACLES**

- Included with Tailpipes.
- Includes Hardware
- Part # TPH-E2530



**1970-1974 E-body Challenger Exhaust System**

- 2.5+system . part # E25HWM-CH
- 3.0+system . part # E30HWM-CH

**DYNOMAX SUPER TURBO MUFFLERS**

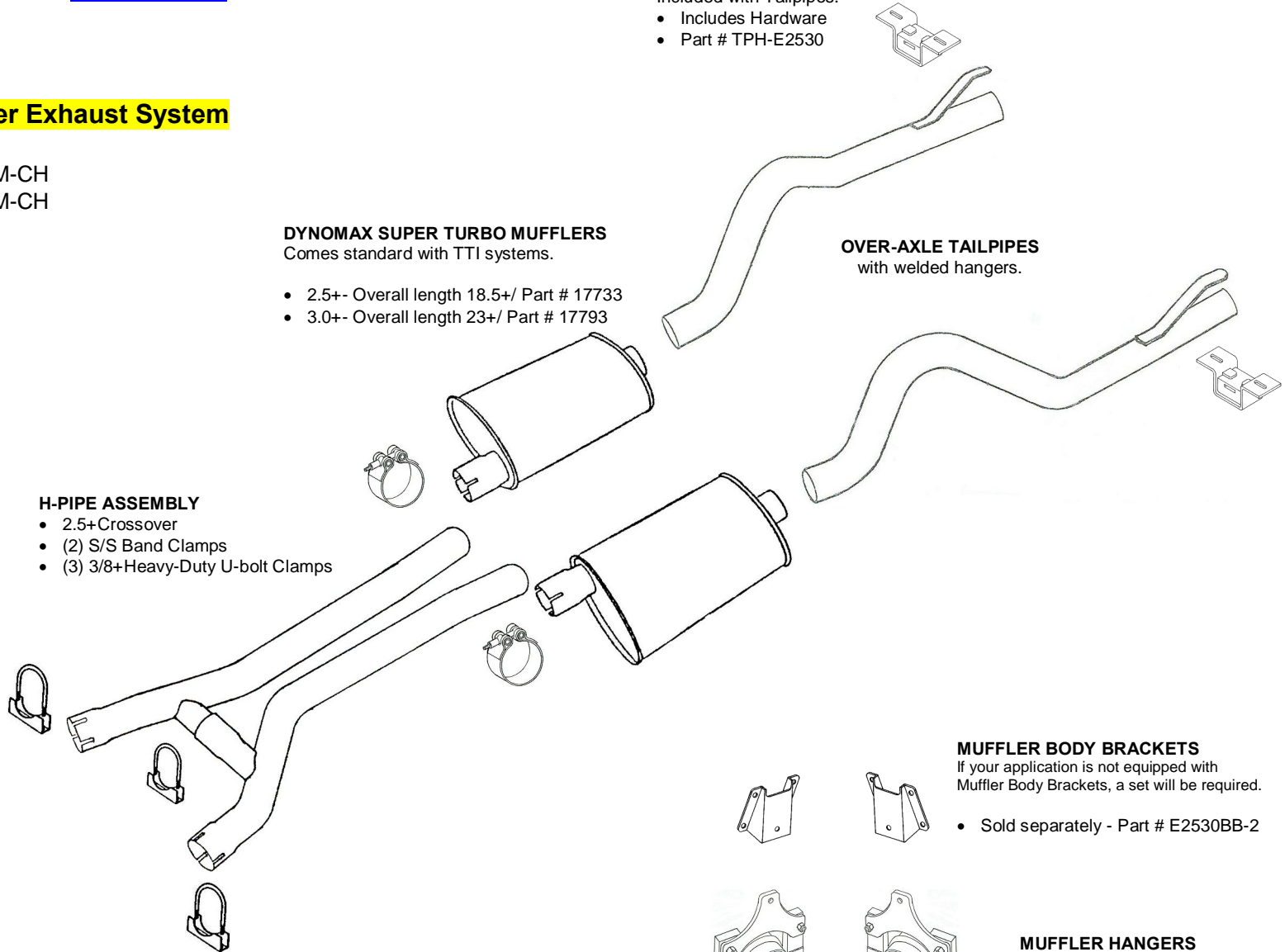
Comes standard with TTI systems.

- 2.5+- Overall length 18.5+ / Part # 17733
- 3.0+- Overall length 23+ / Part # 17793

**OVER-AXLE TAILPIPES**  
with welded hangers.

**H-PIPE ASSEMBLY**

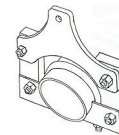
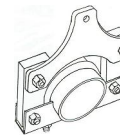
- 2.5+ Crossover
- (2) S/S Band Clamps
- (3) 3/8+ Heavy-Duty U-bolt Clamps



**MUFFLER BODY BRACKETS**

If your application is not equipped with Muffler Body Brackets, a set will be required.

- Sold separately - Part # E2530BB-2



Passenger-side

Driver-side

**MUFFLER HANGERS**

Included with system.

- 2.5+ Part # MH-E25HA
- 3.0+ Part # MH-E30HA