



Tube Technologies Inc.
 1555 Consumer Circle
 Corona, CA 92880
 (951) 371-4878
www.ttiexhaust.com

1962-1965 "B"-body Wagon Exhaust System

- 2.5" system – part # XB25HN6265W
- 3.0" system – part # XB30HN6265W

MUFFLERS

Opting to use mufflers other than Dynomax Super Turbos may require modification to the muffler slips, (cutting & welding) for proper fit and alignment due to the muffler case length and width differences.

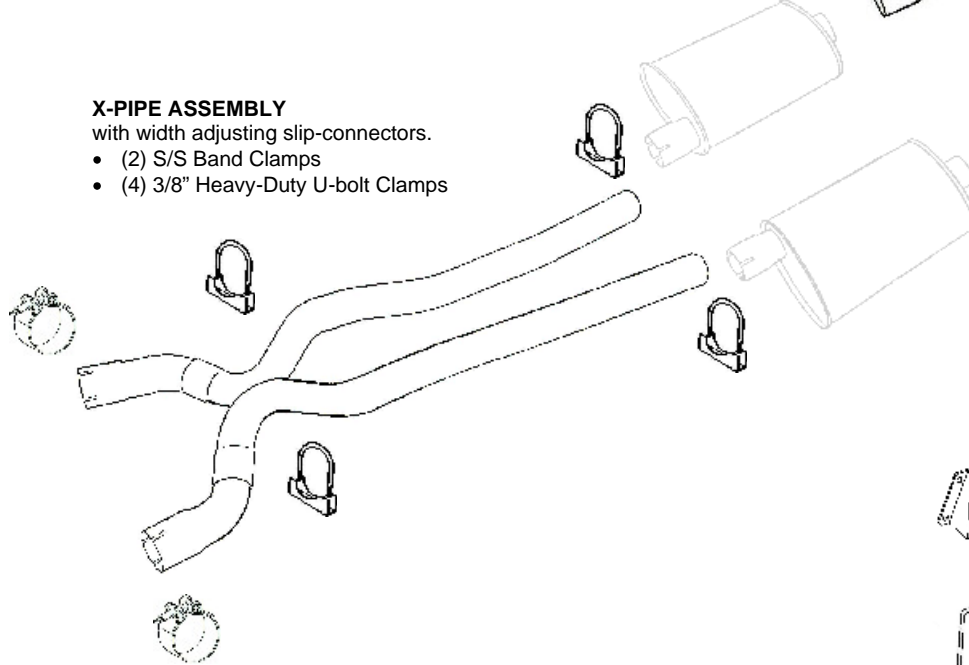
System designed using Dynomax Super Turbo mufflers

- 2.5" (25.5" overall length) # 17748
- 3.0" (23" overall length) # 17793

X-PIPE ASSEMBLY

with width adjusting slip-connectors.

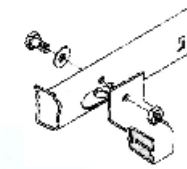
- (2) S/S Band Clamps
- (4) 3/8" Heavy-Duty U-bolt Clamps



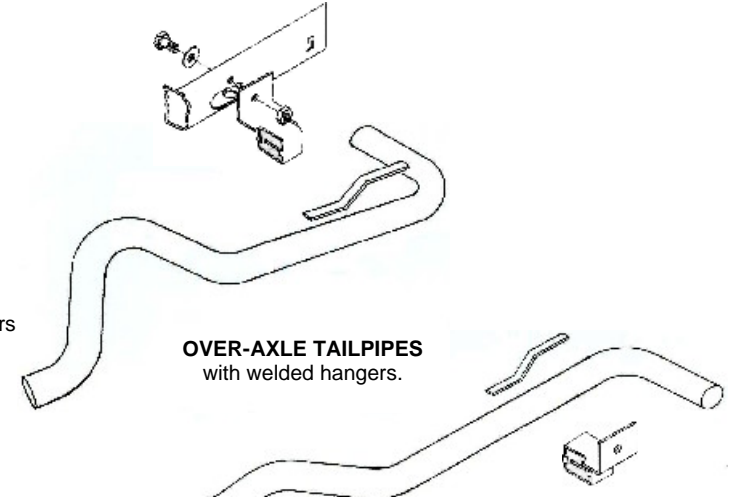
O.E. STYLE TAILPIPE HANGER RECEPTACLES

Included with Tailpipes.

- Includes Hardware
- Part # TPH-AB2530



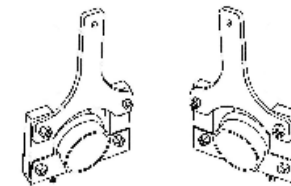
OVER-AXLE TAILPIPES with welded hangers.



MUFFLER BODY BRACKETS

Included with system.

- Includes Hardware
- Part # E2530BB-2



Passenger-side Driver-side

MUFFLER HANGERS

Included with system.

- 2.5" Part # MH-B25HA
- 3.0" Part # MH-B30HA