



Tube Technologies, Inc.  
1555 Consumer Circle • Corona, CA 92878  
951-371-4878 • Fax 951-371-6143 • www.ttiexhaust.com

## PACKING LIST

2005-2018 SRT8 HEMI

### CHALLENGER SCAT-PACK / HELLCAT

HEADER, EXHAUST SYSTEM & TIPS

Package Part #PK-64200N-HSCH

Date: 10/14/2020

Order No:

Sold To:

Ship To:

#### 2.0" 304SS HEADERS

Part #TTISRT8200-R1C0

2.0" Headers with 3.0" O.D. Ball & Socket collectors include 3-bolt floating flanges, (2)header gaskets, and (16)header bolts.

- Header Gasket set: part #GA-HG61
- Header Bolt: part #BO125
- 3-bolt Chamfered Flange, 3/8", laser-cut: part #FLG-RED30

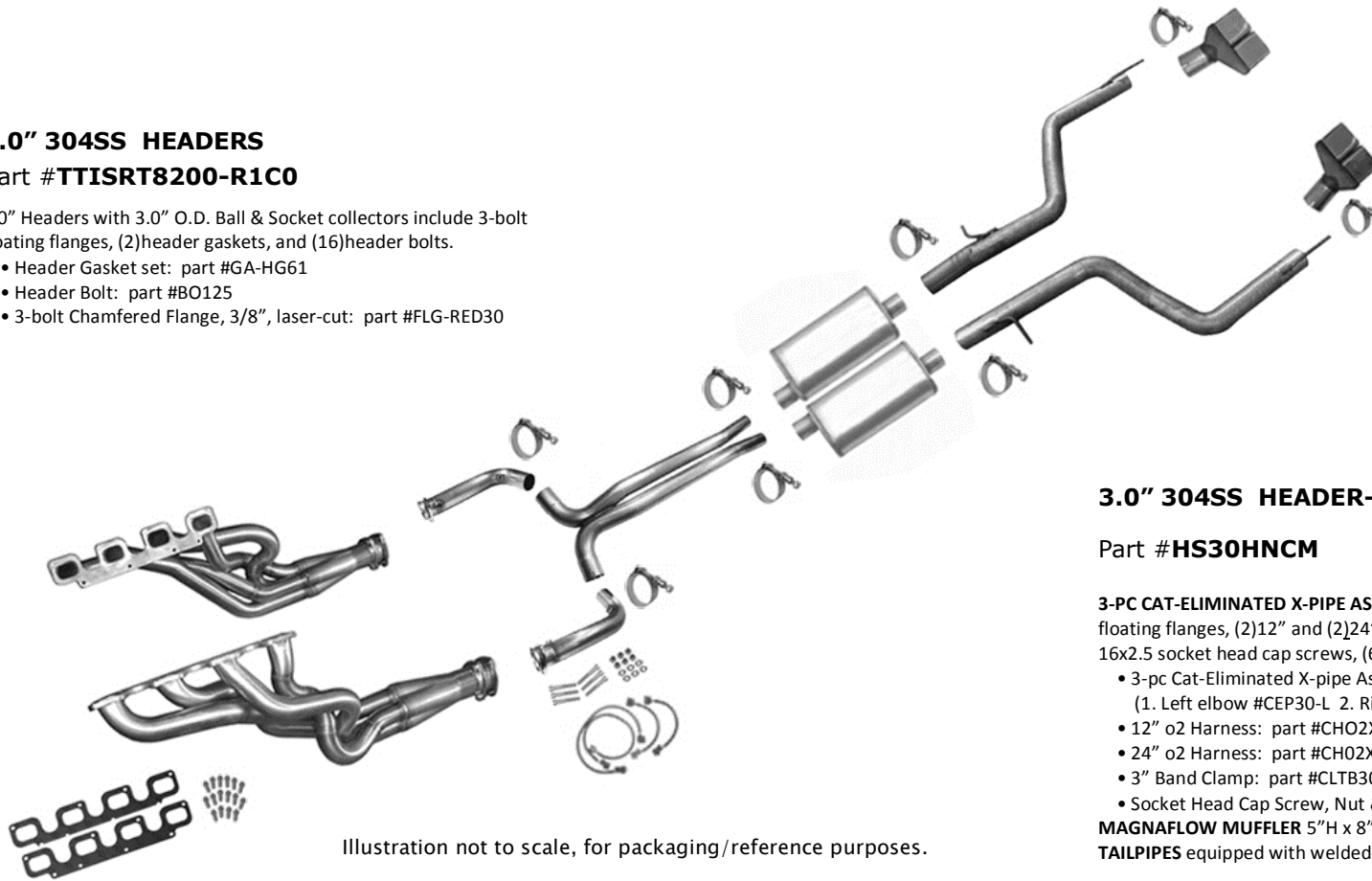


Illustration not to scale, for packaging/reference purposes.

#### 3.0" 304SS POLISHED CHALLENGER EXHAUST TIPS

Part #TIP30SRT

Challenger style, dual-rectangular, investment cast reproduction, slip-on style, swaged & notched for clamping, includes (2)band clamps.

- 3" Band Clamps: part #CLTB30

#### 3.0" 304SS HEADER-BACK CAT-ELIMINATED EXHAUST SYSTEM

Part #HS30HNCM

**3-PC CAT-ELIMINATED X-PIPE ASSEMBLY** Socket inlet elbows equipped with o2 sensor bungs, 3-bolt floating flanges, (2)12" and (2)24" Oxygen sensor wire extension harnesses, (4)band clamps, (6)3/8-16x2.5 socket head cap screws, (6)nuts, and (6)flat washers.

- 3-pc Cat-Eliminated X-pipe Assembly: part #MS30NCH  
(1. Left elbow #CEP30-L 2. Right elbow #CEP30-R 3. X-pipe crossover #MS30CH38)
- 12" o2 Harness: part #CHO2X12HS
- 24" o2 Harness: part #CHO2X24HS
- 3" Band Clamp: part #CLTB30
- Socket Head Cap Screw, Nut & Washer: part #KBO38CS

**MAGNAFLOW MUFFLER** 5"H x 8"W x 18"L, 24" overall length - part #MAG12259

**TAILPIPES** equipped with welded-on hanger rods, includes (2)band clamps - part #HCSP30TP

**CUSTOMER NOTIFICATION AND DISCLAIMER OF LIABILITY:** These products are generally not legal for sale, or use in California, unless such parts are installed on vehicles that did not come originally equipped with a catalytic converter, or are installed on off-road or racing vehicles which are never used upon California highways. Use on California State and Federal highways is a violation of the EPA Clean Air Act. By purchasing the aftermarket TTI Performance Exhaust & Header products, purchaser relieves and indemnifies Tube Technologies Inc. from any and all related costs and liabilities, and assumes any and all risks and liabilities associated with the use and application of such products.