



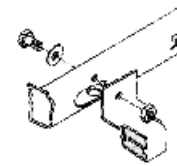
Tube Technologies Inc.
 1555 Consumer Circle
 Corona, CA 92880
 (951) 371-4878
www.ttiexhaust.com

1967-1976 "A"-body Exhaust System

- 2.5" system – part # A25HNM6776
- 3.0" system – part # A30HNM6776

O.E. STYLE TAILPIPE HANGER RECEPTACLES

- Included with Tailpipes.
- Includes Hardware
 - Part # TPH-AB2530

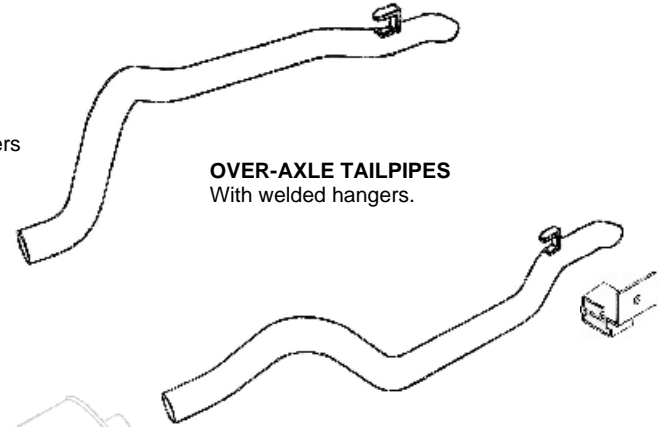


MUFFLERS

Opting to use mufflers other than Dynomax Super Turbos may require modification to the muffler slips, (cutting & welding) for proper fit and alignment due to the muffler case length and width differences.

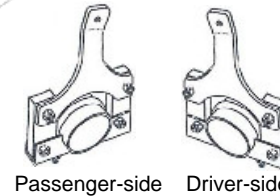
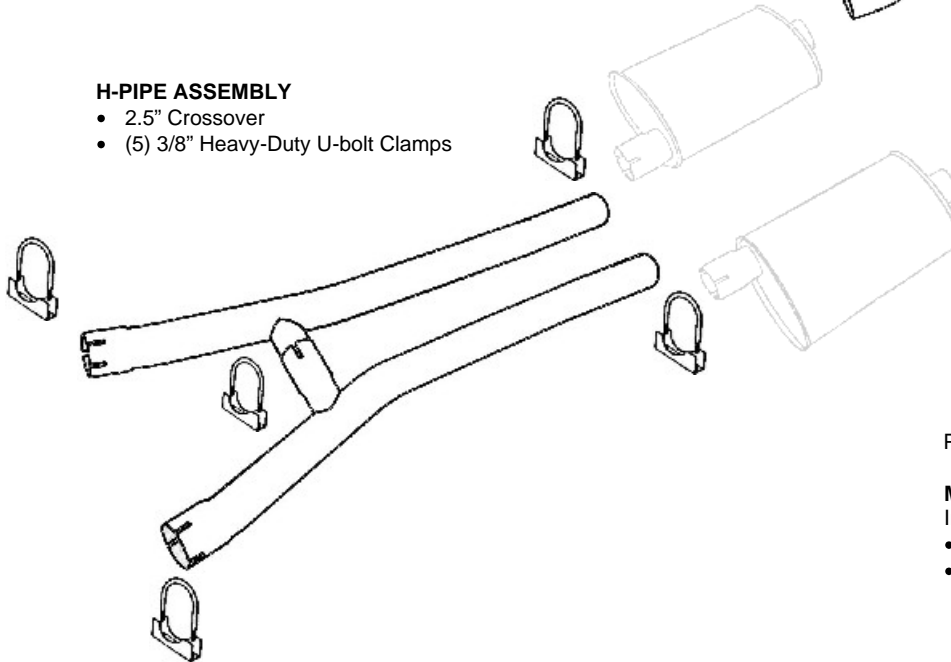
- System designed using Dynomax Super Turbo mufflers
- 2.5" (18.5" overall length) # 17733
 - 3.0" (23" overall length) # 17793

OVER-AXLE TAILPIPES
 With welded hangers.



H-PIPE ASSEMBLY

- 2.5" Crossover
- (5) 3/8" Heavy-Duty U-bolt Clamps



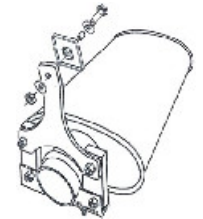
Passenger-side Driver-side

MUFFLER HANGERS

- Included with system.
- 2.5" Part # MH-A25HA
 - 3.0" Part # MH-A30HA

**MUFFLER HANGER
 DETAIL**

(2) 7/16" – 20 x 1-3/4"
 Grade 8 bolts supplied.



(Driver-side shown)