



Tube Technologies Inc.  
 1555 Consumer Circle  
 Corona, CA 92880  
 (951) 371-4878  
[www.ttiexhaust.com](http://www.ttiexhaust.com)

## 1963-1965 "B"-body Exhaust System

- 2.5" system – part # B25HNM6365
- 3.0" system – part # B30HNM6365

### MUFFLERS

Opting to use mufflers other than Dynomax Super Turbos may require modification to the muffler slips, (cutting & welding) for proper fit and alignment due to the muffler case length and width differences.

System designed using Dynomax Super Turbo mufflers

- 2.5" (18.5" overall length) # 17733
- 3.0" (23" overall length) # 17793

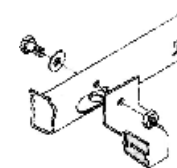
### H-PIPE ASSEMBLY

- 2.5" Crossover
- (2) S/S Band Clamps
- (3) 3/8" Heavy-Duty U-bolt Clamps

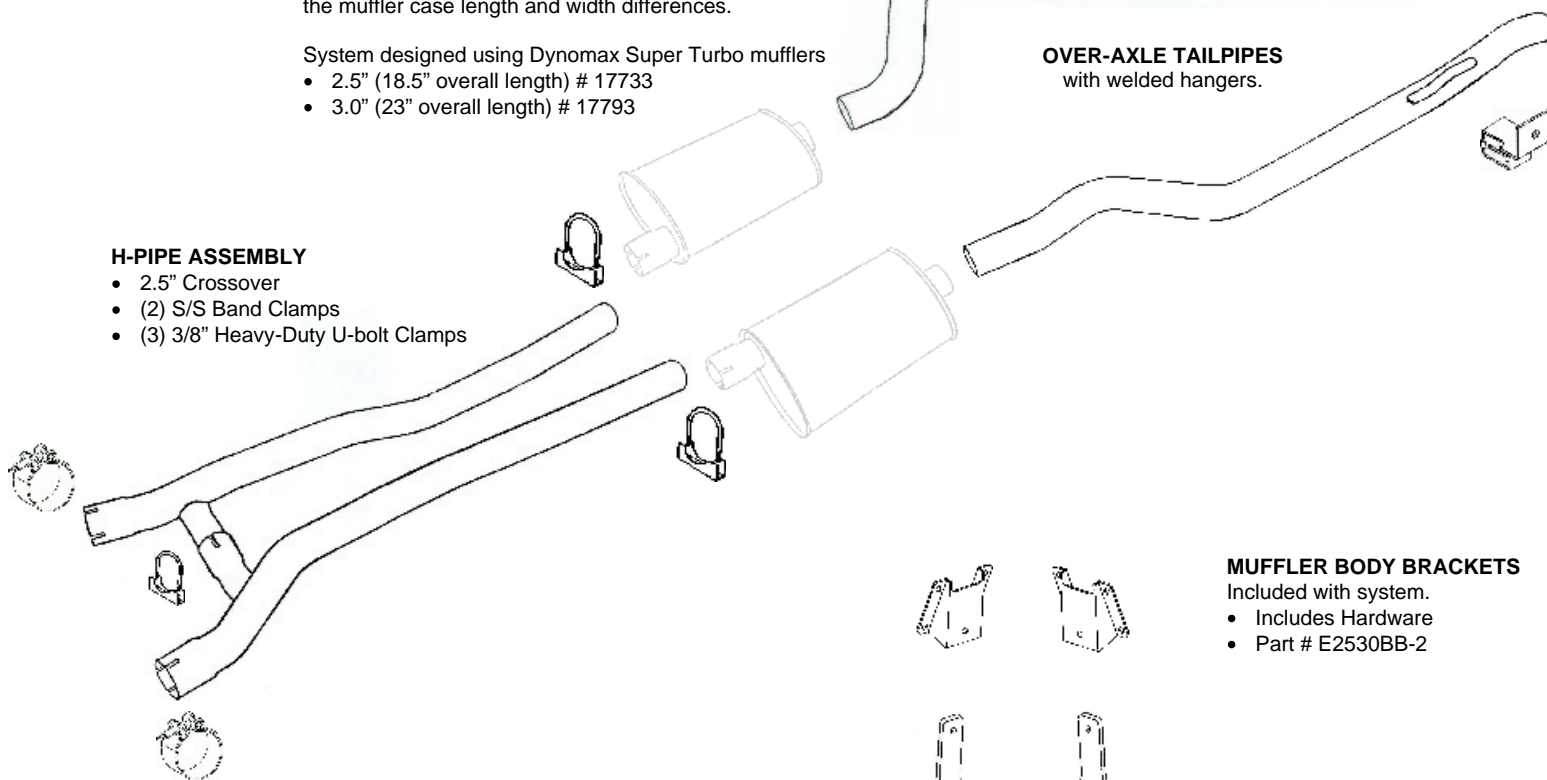
### O.E. STYLE TAILPIPE HANGER RECEPTACLES

Included with Tailpipes.

- Includes Hardware
- Part # TPH-AB2530



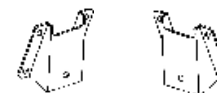
### OVER-AXLE TAILPIPES with welded hangers.



### MUFFLER BODY BRACKETS

Included with system.

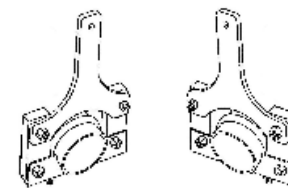
- Includes Hardware
- Part # E2530BB-2



### MUFFLER HANGERS

Included with system.

- 2.5" Part # MH-B25HA
- 3.0" Part # MH-B30HA



Passenger-side    Driver-side