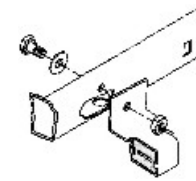




Tube Technologies Inc.
 1555 Consumer Circle
 Corona, CA 92880
 (951) 371-4878
www.ttiexhaust.com

O.E. STYLE TAILPIPE HANGER RECEPTACLES

- Included with Tailpipes.
- Includes Hardware
 - Part # TPH-AB2530



1971-1974 "B"-body Exhaust Systems

- 2.5" system – part # B25HNM7174
- 3.0" system – part # B30HNM7174

MUFFLERS

Opting to use mufflers other than Dynomax Super Turbos may require modification to the muffler slips, (cutting & welding) for proper fit and alignment due to the muffler case length and width differences.

System designed using Dynomax Super Turbo mufflers

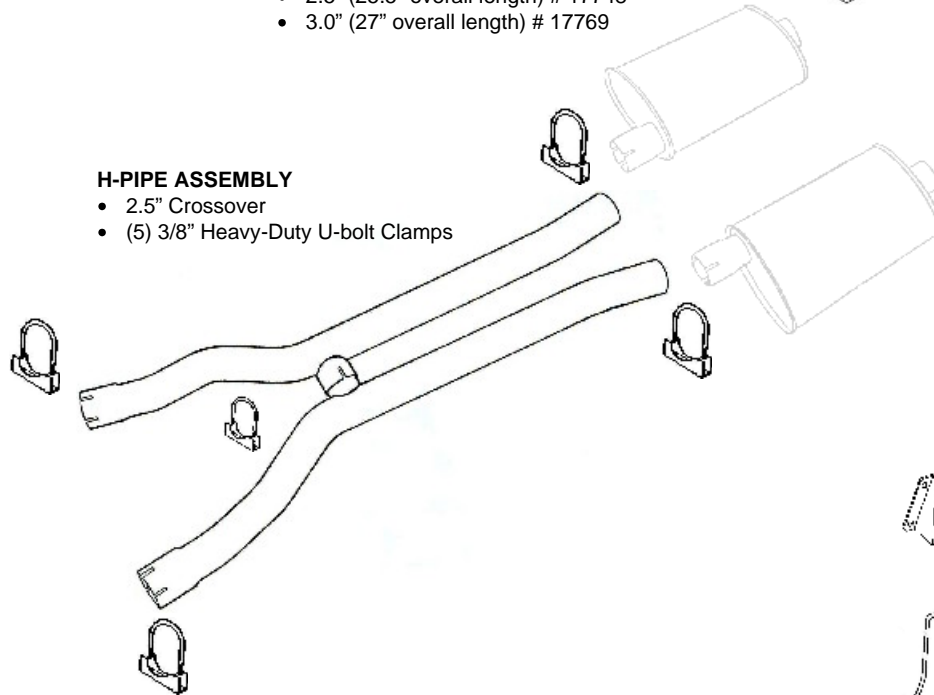
- 2.5" (25.5" overall length) # 17748
- 3.0" (27" overall length) # 17769

OVER-AXLE TAILPIPES with welded hangers.



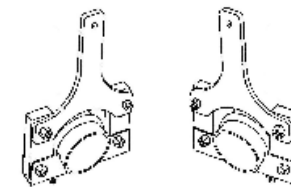
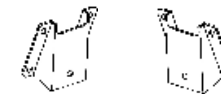
H-PIPE ASSEMBLY

- 2.5" Crossover
- (5) 3/8" Heavy-Duty U-bolt Clamps



MUFFLER BODY BRACKETS

- Included with system.
- Includes Hardware
 - Part # E2530BB-2



Passenger-side Driver-side

MUFFLER HANGERS

- Included with system.
- 2.5" Part # MH-B25HA
 - 3.0" Part # MH-B30HA